

**PARTS**

8FT P80.....	2
41 1/4IN P80.....	2
1/2MDC H45.....	2
1M H45.....	4
1/2MC H45.....	4
SHELF BARS.....	4
EXHIBIT LIGHT.....	1

**PANELS**

(A) 38 1/8 X 92 7/8.....	1
(B) 42 1/2 X 53 1/2.....	1
(C) 29 7/8 X 38 1/8.....	2
(D) 19 1/2 X 37 1/2.....	2

**COUNTERS**

CUSTOM O.L. C-TOP.....	1
1/2MD X 1M C-TOP.....	1

**HARGROVE**

www.hargroveinc.com

One Hargrove Drive Lanham, MD 20706 (301) 306-9000

SCALE  
1/2"=1'-0"  
ACCT EXEC

**KIOS044B**

UPDATED  
10:24am 08/18/11

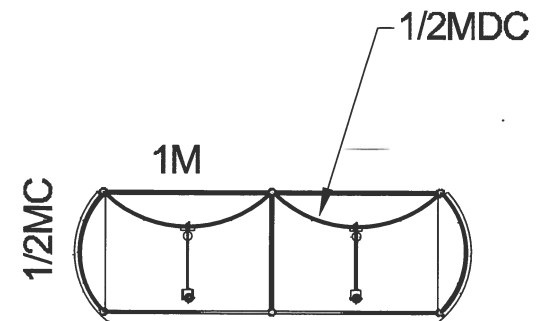
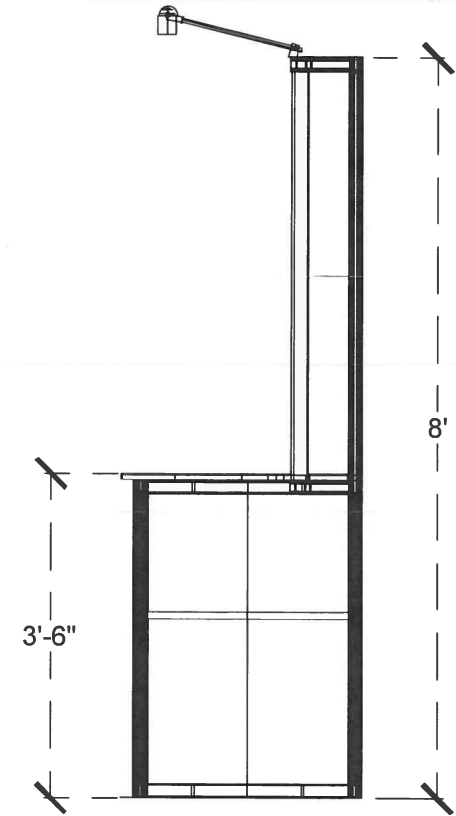
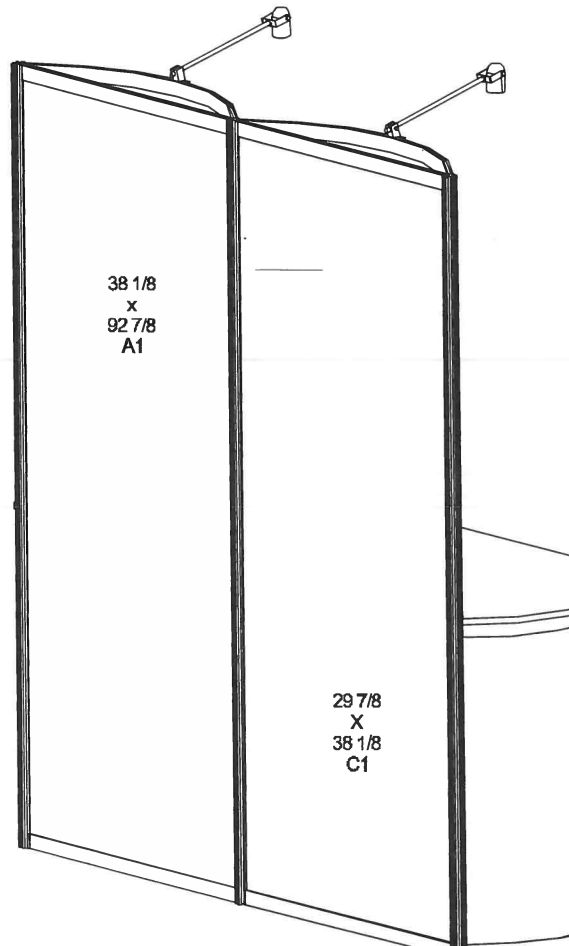
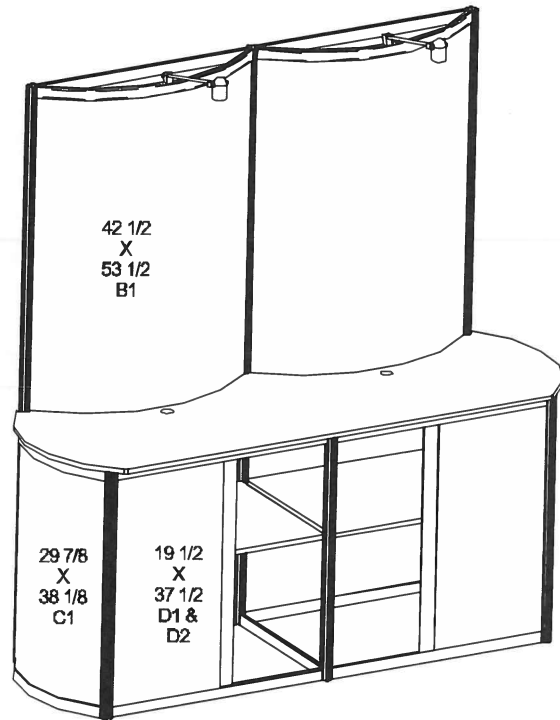
PLOTTED  
4:18pm 10/10/11

DRAWN BY  
B ALEXANDER

PLOTTED BY  
billalexander

W.O.#

SHT  
**S1**



**PARTS**

8FT P80.....	3
41 1/4IN P80.....	3
1/2MDC H45.....	4
1M H45.....	8
1/2MC H45.....	4
SHELF BARS.....	8
EXHIBIT LIGHT.....	2
1/2MD H45.....	2

**PANELS**

(A) 38 1/8 X 92 7/8.....	2
(B) 42 1/2 X 53 1/2.....	2
(C) 29 7/8 X 38 1/8.....	2
(D) 19 1/2 X 37 1/2.....	4
(E) 26 5/8 x 38 1/8.....	1

**COUNTERS**

CUSTOM O.L. C-TOP.....	1
1/2MD X 1M C-TOP.....	2



1 Hargrove Drive ~ Lanham, MD 20706 ~ (301) 306-9000

SCALE  
1/2"=1'-0"  
ACCT EXEC

**KIOS044B-mod**

UPDATED  
2:22pm 04/20/12  
PLOTTED  
2:23pm 04/20/12

DRAWN BY  
B ALEXANDER  
PLOTTED BY  
Gregiones

W.O.#

SHT  
**S1**

